

Contents

Important User Information	2	Parts List	3
Safety Precautions	2	Assembly	4
Required Tools	3		



Visit the Class Piano Workstation web page at wengercorp.com for more information.

Note: Please read and understand these instructions before proceeding.
Note: If you need additional information, contact Wenger Corporation using the information below.

Important User Information

General

Copyright © 2024 by Wenger Corporation

All rights reserved. No part of the contents of this manual may be reproduced, copied, or transmitted in any form or by any means including graphic, electronic, or mechanical methods or photocopying, recording, or information storage and retrieval systems without the written permission of the publisher, unless it is for the purchaser's personal use.

Printed and bound in the United States of America.

The information in this manual is subject to change without notice and does not represent a commitment on the part of Wenger Corporation. Wenger Corporation does not assume any responsibility for any errors that may appear in these instructions.

In no event will Wenger Corporation be liable for technical or editorial omissions made herein, nor for direct, indirect, special, incidental, or consequential damages resulting from the use or defect of these instructions. The manufacturer reserves the right to change this product at any time.

The information in this document is not intended to cover all possible conditions and situations that might occur. The end user must exercise caution and common sense when assembling or installing Wenger Corporation products. If any questions or problems arise, call the Wenger Corporation at (800) 4WENGER (493-6437) or +1-507-455-4100 worldwide.

Manufacturer

The Class Piano Workstation is manufactured by:

Wenger Corporation
555 Park Drive
Owatonna, MN 55060
(800) 4WENGER (493-6437) • +1 (507) 455-4100
wengercorp.com

Intended Use

- This product is intended for indoor use in normal ambient temperature and humidity conditions – it must not be exposed to prolonged outside weather conditions.
- This product is intended to be assembled and used only as described in these instructions.

Warranty

Warranty information is available at wengercorp.com.

Safety Precautions

Throughout this document you may find cautions and warnings which are defined as follows:

- **WARNING:** Failure to follow the instruction could result in serious injury or damage to property.
- **CAUTION:** Failure to follow the instruction could result in minor injury or damage to property.

Read all of these safety instructions before using the equipment.

CAUTION

Make sure anyone assembling, installing or using this product has read and understands these instructions.

CAUTION

Failure to comply with Warnings and Cautions in this document or on the equipment can result in damage to property or injury.

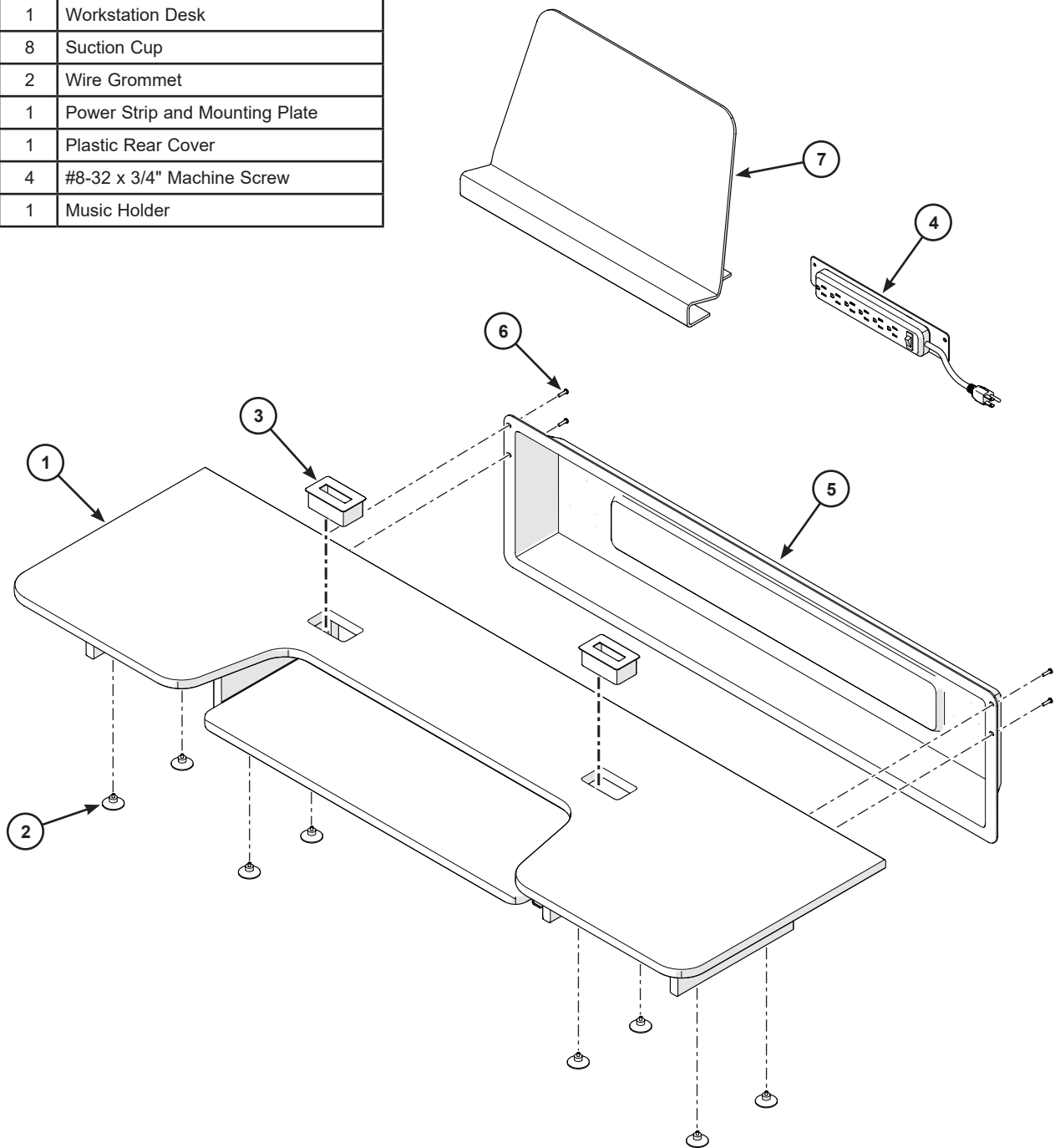
Required Tools

The following tools are required for assembly.

- Phillips head screwdriver
- 4 mm Hex wrench (supplied) if installing on a 76-key piano

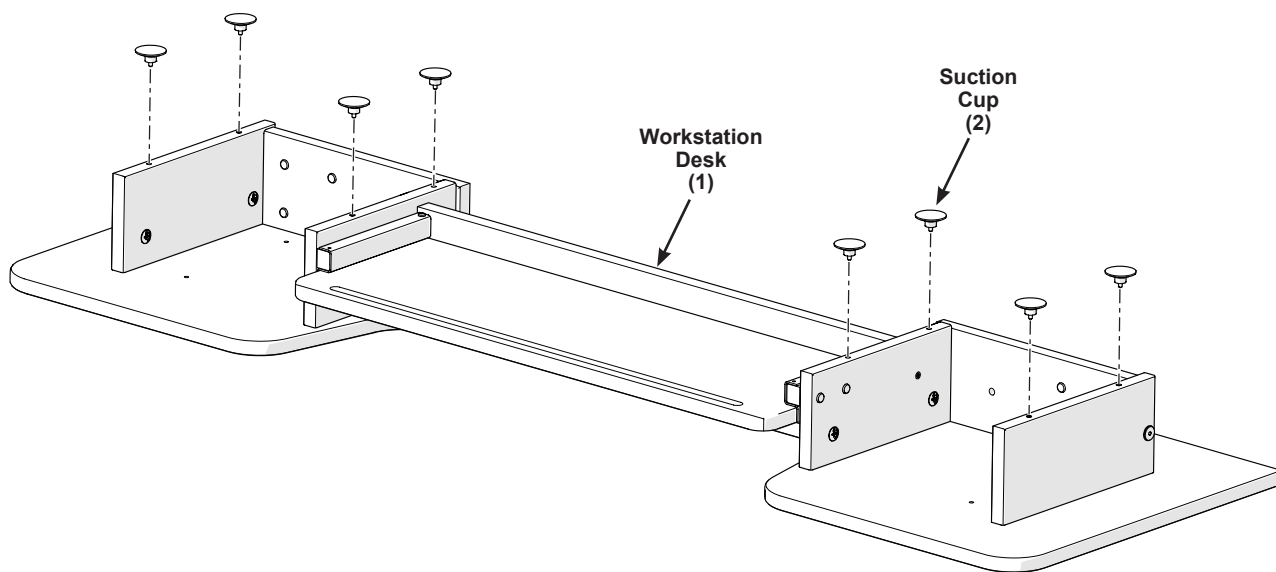
Parts List

Item	Qty	Description
1	1	Workstation Desk
2	8	Suction Cup
3	2	Wire Grommet
4	1	Power Strip and Mounting Plate
5	1	Plastic Rear Cover
6	4	#8-32 x 3/4" Machine Screw
7	1	Music Holder

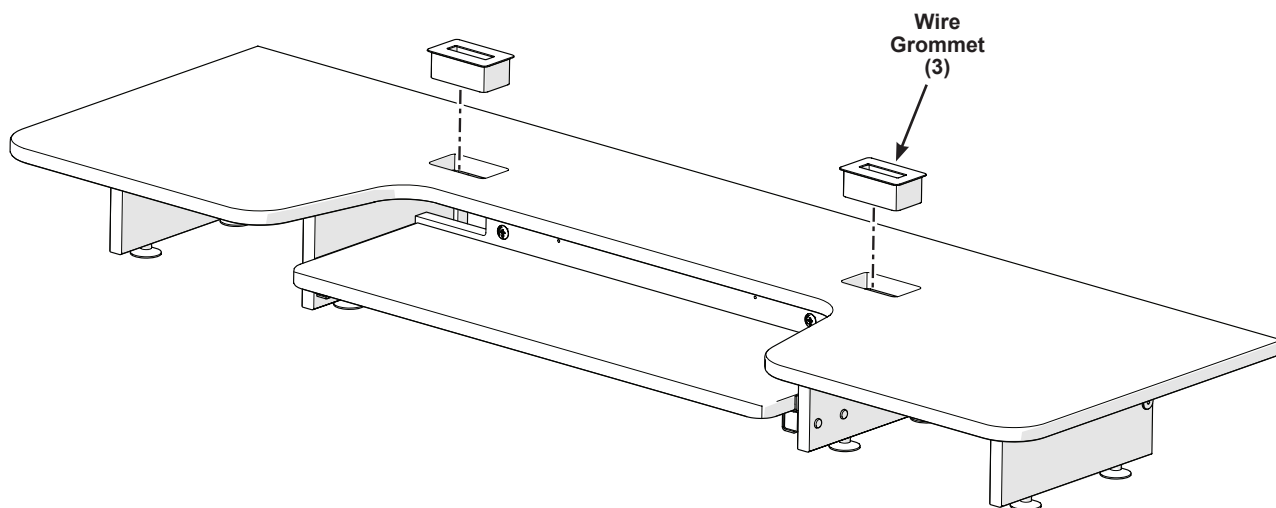


Assembly

1. Screw eight suction cups (2) into the inserts on the bottom side of the workstation desk (1). Tighten securely.



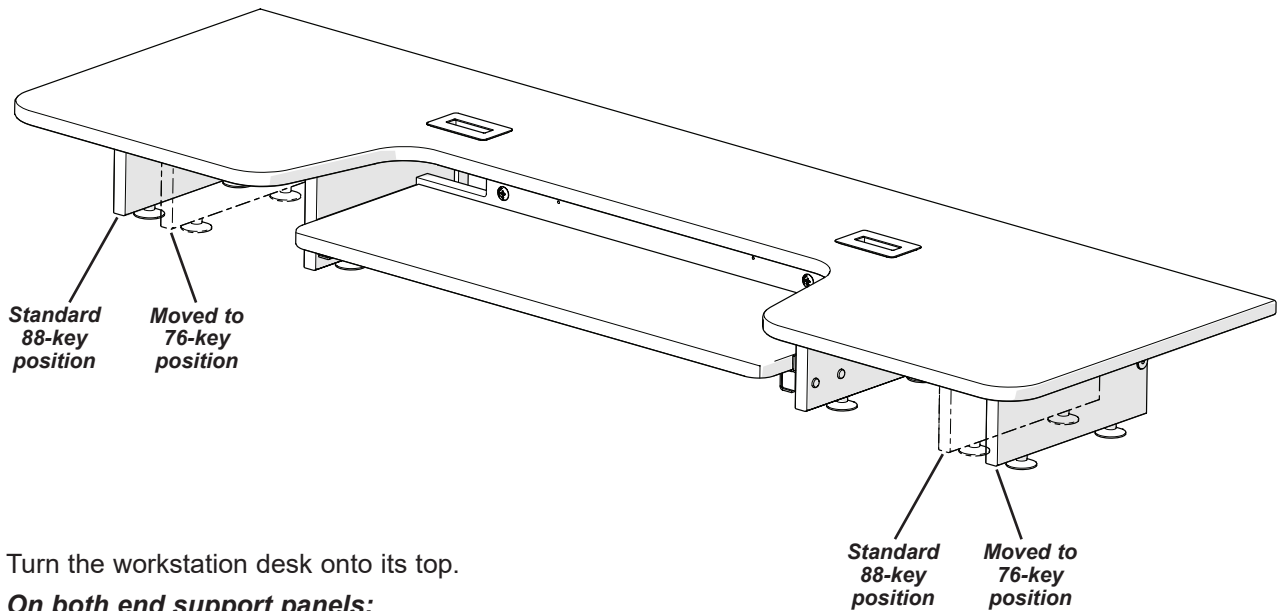
2. Insert two wire grommets (2) into the slots on the top side of the workstation desk.



Assembly (continued)



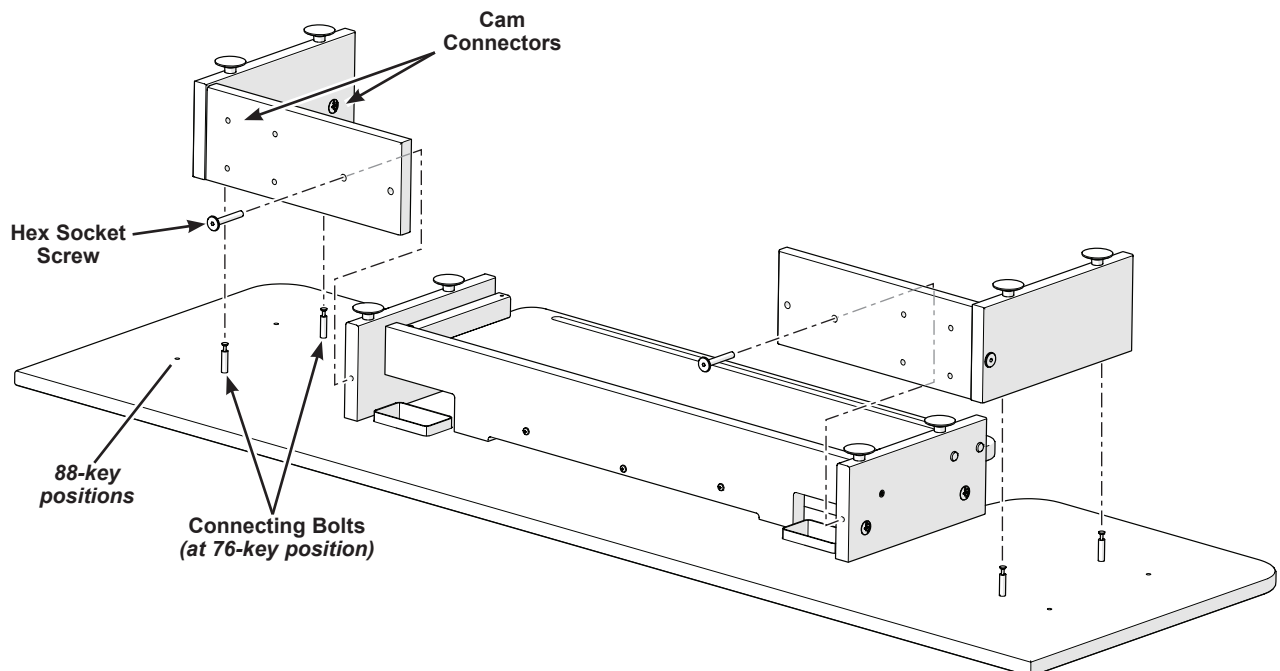
The Class Piano Workstation is shipped to fit on top of a 88-key digital piano.
To fit on top of a smaller 76-key digital piano, the end support panels can be moved in.
To move the end support panels, follow the step below before proceeding.
Otherwise skip ahead to the next page.



3. Turn the workstation desk onto its top.

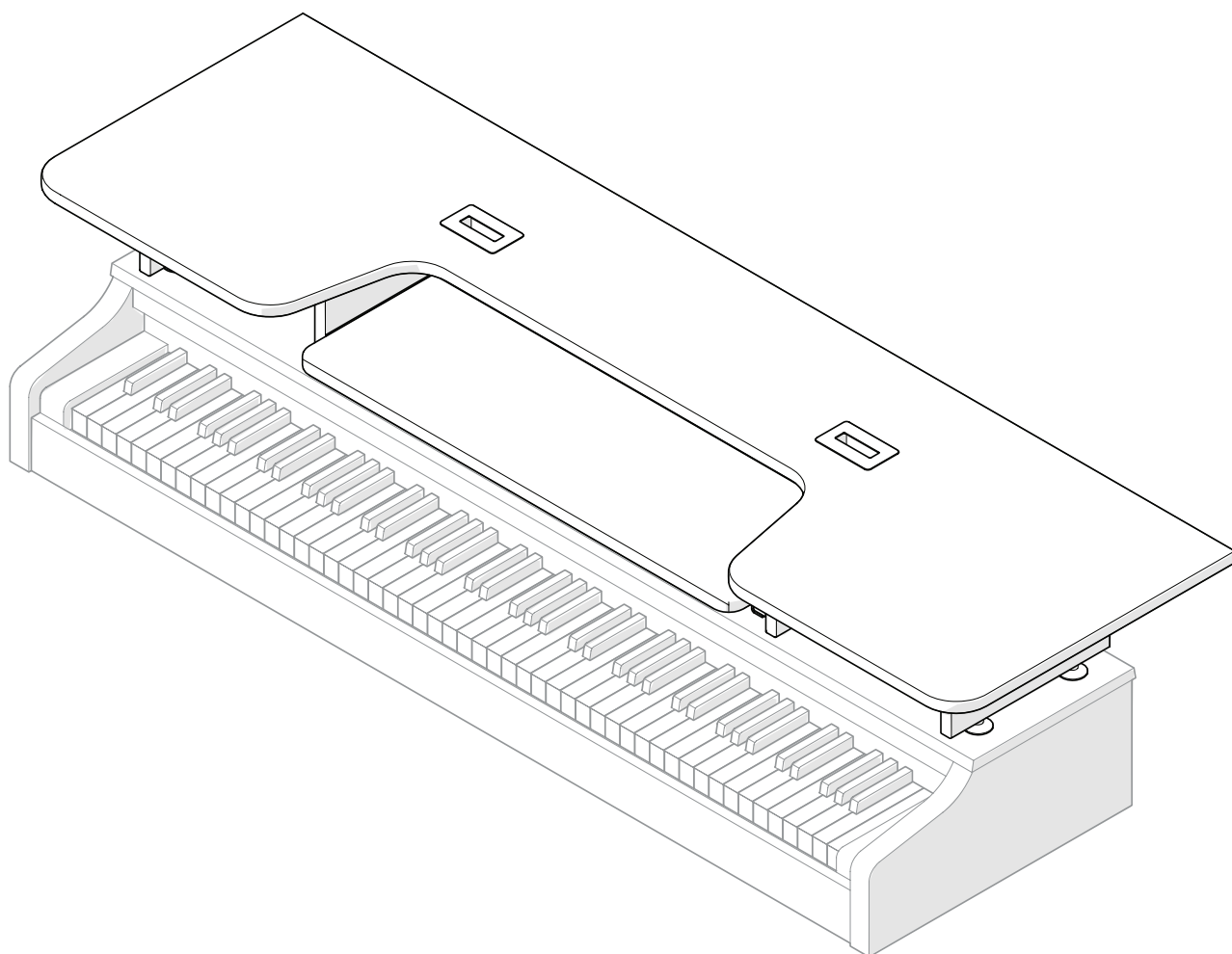
On both end support panels:

- Turn and unlock the two cam connectors in the side panel.
- Remove the hex socket screw from the back panel.
- Lift the end support panels off the connecting bolts
- Move the connecting bolts to the inner set of holes.
- At the new location, place the end support panels onto the connecting bolts and reattach.



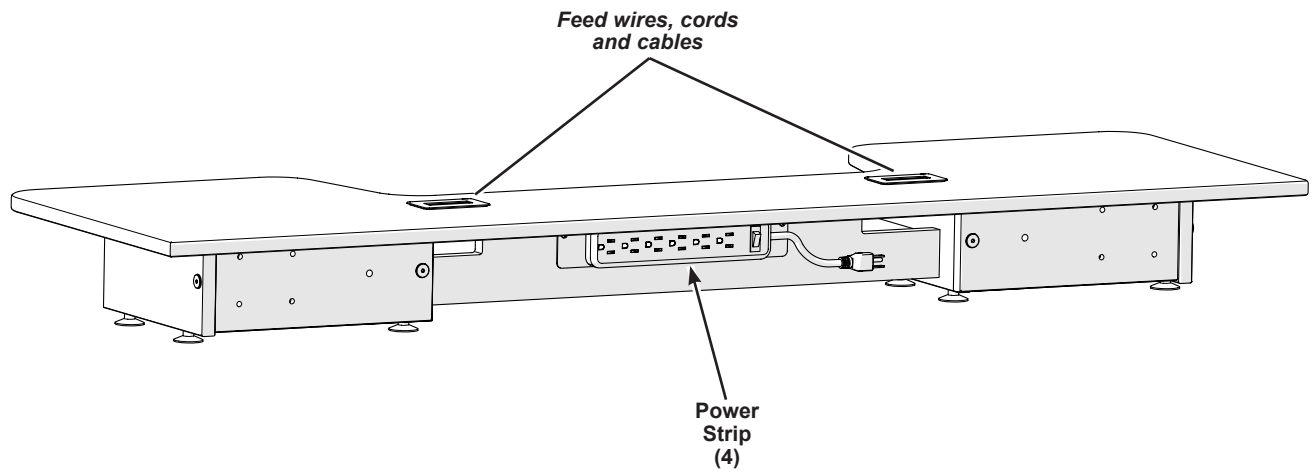
Assembly (continued)

4. Set the workstation desk to fit on top of the piano as shown.
Press down firmly to secure the suction cups

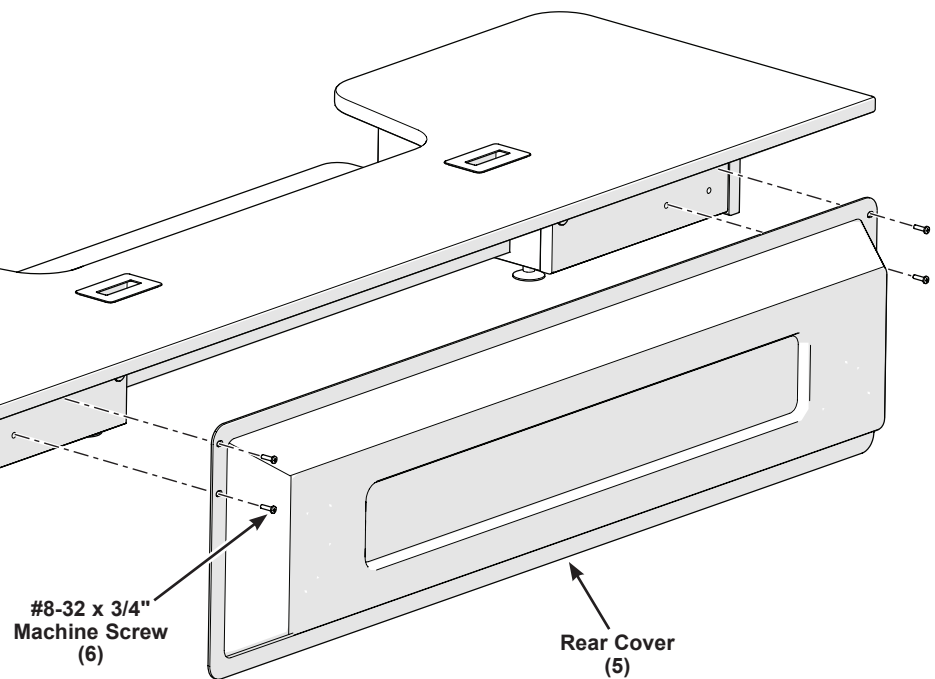


Assembly (continued)

5. Wires, cords and cables can all be fed through the wire grommets. There is a power strip (4) mounted on the back side of the workstation desk under the desk surface.



6. Attach the plastic rear cover (5) to the pilot holes at the back side of the workstation desk using four #8-32 x 3/4" Machine Screws (6).



Assembly (continued)

7. Slide the music holder (7) over the front edge of the upper desk surface as shown.

